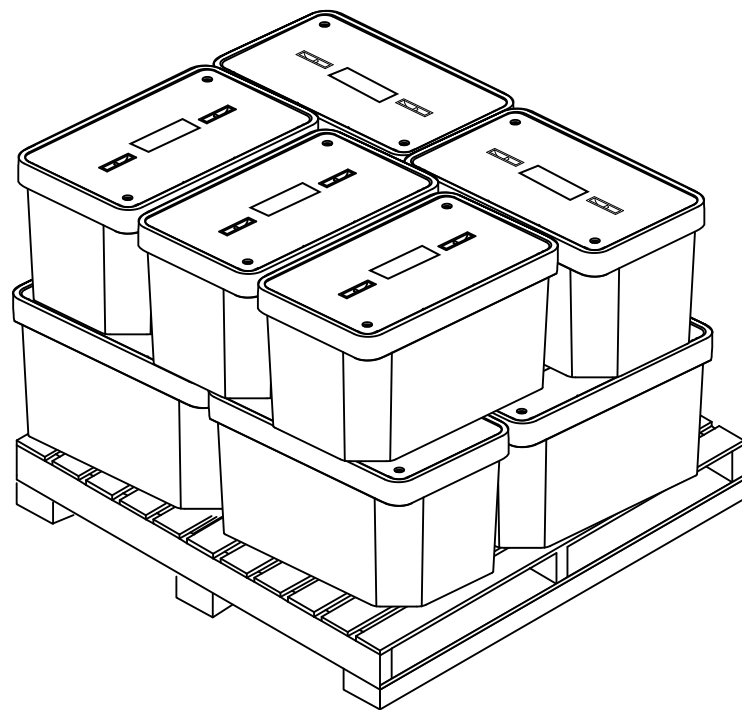



Fiberglass Reinforcement wrapped inside and outside

Polymer Concrete Box and cover
 Non Skid Surface on Cover
 Logo Options: Drop in / Embossed
 Hex Bolts (2)
 Lift Pins (2) Places
 Tier 15 or 22
 Available depths: 12", 18", 24"



PROPRIETARY AND CONFIDENTIAL
 THE INFORMATION CONTAINED IN THIS DRAWING IS THE SOLE PROPERTY OF DURABLE ENCLOSURES. ANY REPRODUCTION IN PART OR AS A WHOLE WITHOUT THE WRITTEN PERMISSION OF DURABLE ENCLOSURES IS PROHIBITED.

Pallet 12"	15	UNLESS OTHERWISE SPECIFIED: DIMENSIONS ARE IN INCHES TOLERANCES: FRACTIONAL ANGULAR: MACH BEND TWO PLACE DECIMAL THREE PLACE DECIMAL INTERPRET GEOMETRIC TOLERANCING PER: MATERIAL FINISH	NAME	DATE		
Pallet 18"	10		DRAWN	MC		2/15/24
Pallet 24"	10		CHECKED			
Truckload	360		ENG APPR.			
Truckload	144		MFG APPR.			
Truckload	144		Q.A.			
NEXT ASSY	USED ON	COMMENTS:			SIZE	
APPLICATION		DO NOT SCALE DRAWING			DWG. NO.	
					DPC1324	
					REV	
					SCALE:	
					WEIGHT:	
					SHEET 1 OF 1	