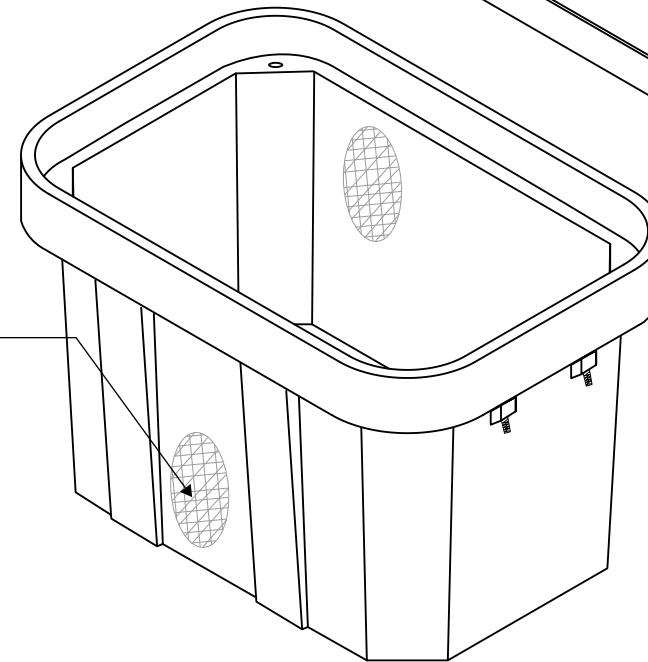



Fiberglass Reinforcement wrapped inside and outside



Polymer Concrete Box and cover  
 Non Skid Surface on Cover  
 Logo Options: Drop in / Embossed  
 Hex Bolts (2)  
 Lift Pins (2) Places  
 Tier 15 or 22  
 Available depths: 18", 24", 30", 36"

Pallet Qty	6	UNLESS OTHERWISE SPECIFIED:	NAME	DATE		
Truck Qty	120		DRAWN	MC		1/15/24
		DIMENSIONS ARE IN INCHES	CHECKED			SIZE DWG. NO. REV <b>B</b> DPC2436
		TOLERANCES:	ENG APPR.			
		FRACTIONAL	MFG APPR.			
		ANGULAR: MACH BEND	Q.A.		WEIGHT: SHEET 1 OF 1	
		TWO PLACE DECIMAL	COMMENTS:			
		THREE PLACE DECIMAL				
NEXT ASSY	USED ON	INTERPRET GEOMETRIC TOLERANCING PER:				
		MATERIAL				
		FINISH				
		APPLICATION				
		DO NOT SCALE DRAWING				